

Technical Specifications / Engineering Submittals

Raritan Model Number: PXE-1478JV

rev20170831

LINE DRAWING



FEATURES

Energy Metering	Voltage (V), Current (A), Active Power (kW), Real Power (kVA), Energy (kWh), Power Factor
Metering Accuracy	ISO/IEC 62053-21 1%
Metering per Input Line	Yes
Metering per Branch Circuit Breaker	No
Metering per Output Receptacle	No
Remote Outlet Switching	No
Environmental Sensor Ready	Yes
Replaceable Controller	No
Compatible Sensors	Temperature, Humidity, Air Flow, Differential Pressure, Water Leak, and Contact Closure
Networking	(10/100 BaseT) Ethernet port. Optional WiFi (802.11a/b/g/n)
Remote Management	HTTP(s); SSH; Telnet; RS-232 (Serial); Power IQ; SNMP version v2/v3; SMTP; JSON-RPC
Cascading	No
Onboard Display	3-digit LED user-selectable display : Voltage, current, or active power (per line)
Embedded Processor	ARM9 400MHZ (Atmel SAM9G20), 16MB SPI Flash, 64MB SDRAM

Technical Specifications / Engineering Submittals

Raritan Model Number: PXE-1478JV

rev20170831

INPUT

Input Plug	NEMA L5-30P (2P3W)
Cord Length	3 meters (9.84 feet) standard
Cord Entry	Bottom-bottom feed
Cable Type	IP44("splashproof")
Number of Power Cords	1
Maximum Input Current	30A
Nominal Input Voltage	100V
Rated Input Voltage	100 - 100V
Input Frequency	50/60Hz
Power Capacity	3.0kVA at 100V, 3.0kVA at 100V

OUTPUT

Nominal Output Voltage	100V
Rated Output Voltage	100 - 100V
Receptacles (Output Connections)	(24) NEMA 5-15R, 15A
Securelock Support	No
Cord Retention	Yes
Overload Protection	(2) Airpax LELBX1-20

PHYSICAL

Color	Black powder coat (custom colors available)
Unit Dimensions (WxDxH)	2.1" x 2.1" x 60.6" ; 52mm x 53mm x 1539mm
Unit Weight	5.5 kg
Shipping Weight	7.5 kg
Shipping Dimensions (WxDxH)	11.02" x 4.53" x 71.46" ; 280mm x 115mm x 1815mm
Mounting	Tool-less button mount

Technical Specifications / Engineering Submittals

Raritan Model Number: PXE-1478JV

rev20170831

ENVIRONMENTAL

Operating Temperature	50°C
Operating Relative Humidity	85%
Operating Elevation	0-10000ft

CONFORMANCE

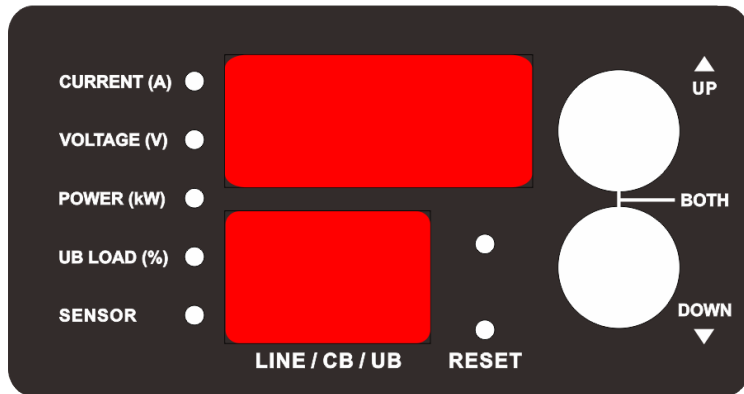
Regulatory Approvals	PSE, Canada ICES-003, Part 15 Class A of the FCC rules RoHS compliant
Warranty	Standard 2 years manufacturer warranty

Technical Specifications / Engineering Submittals
Raritan Model Number: PXE-1478JV

rev20170831

CONTROL PANEL

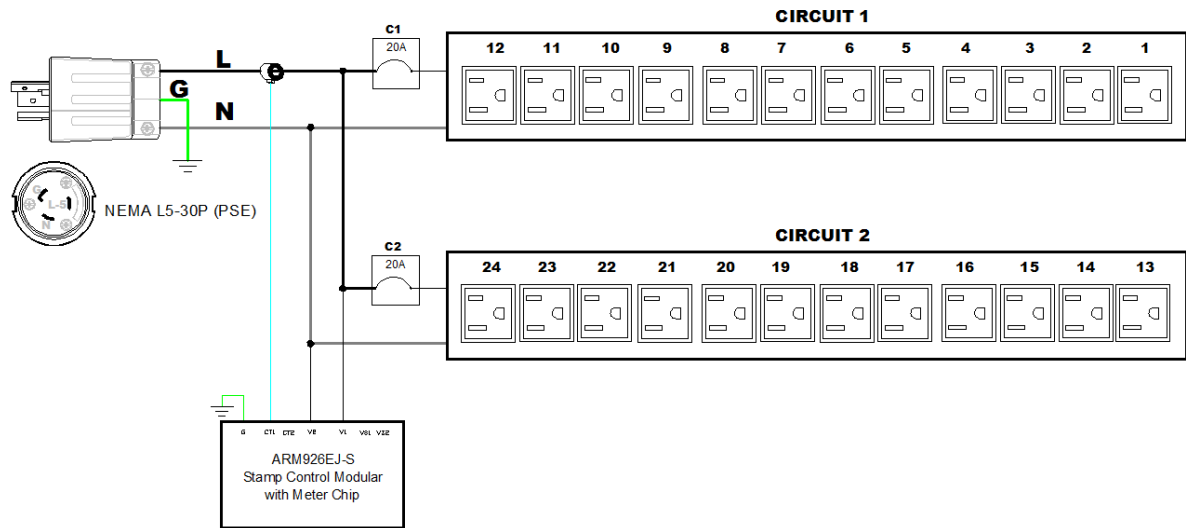
Dimension: 76mm x 40mm



Technical Specifications / Engineering Submittals
Raritan Model Number: PXE-1478JV

rev20170831

ELECTRICAL (ONE LINE) DIAGRAM

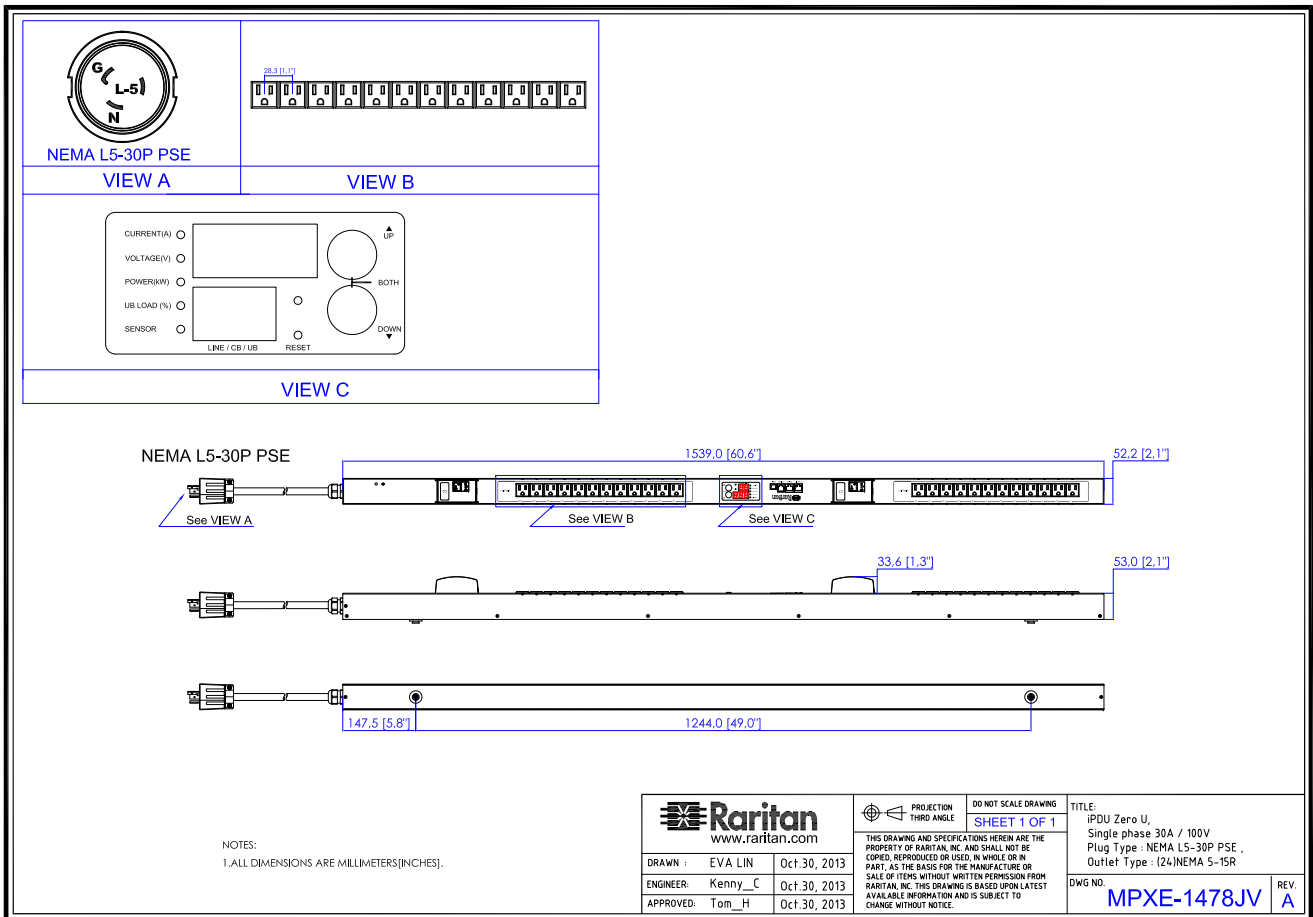


Technical Specifications / Engineering Submittals

Raritan Model Number: PXE-1478JV

rev20170831

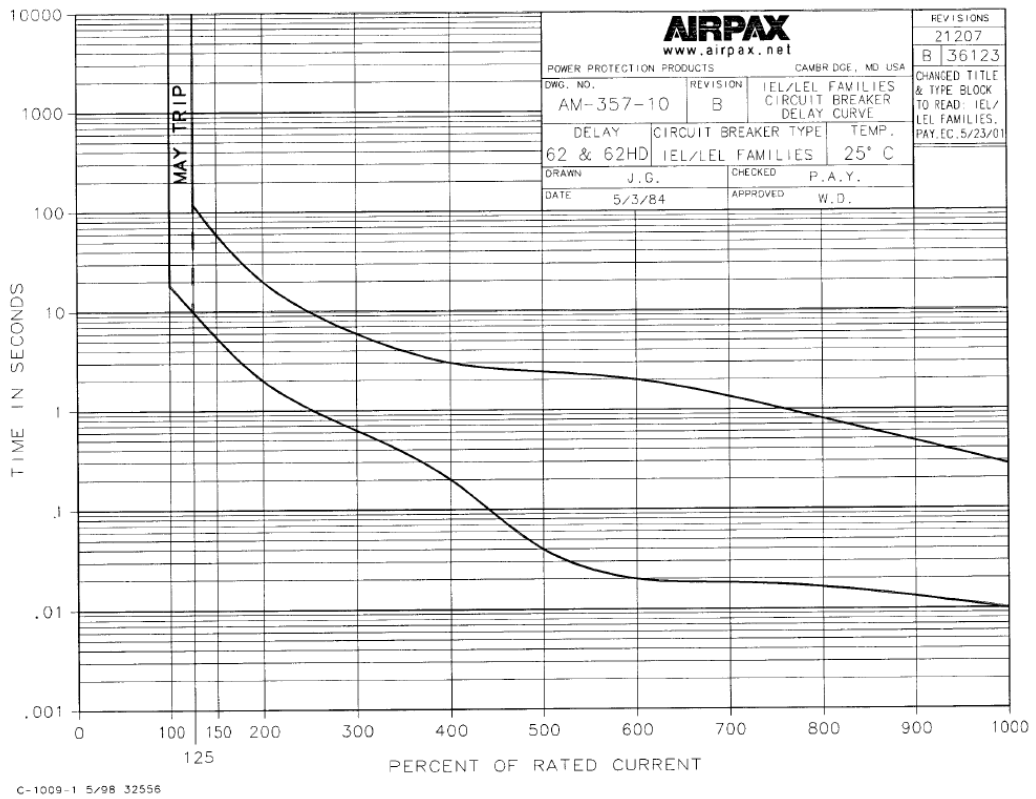
MECHANICAL DIAGRAM



Technical Specifications / Engineering Submittals
Raritan Model Number: PXE-1478JV

rev20170831

TRIP CURVE



7