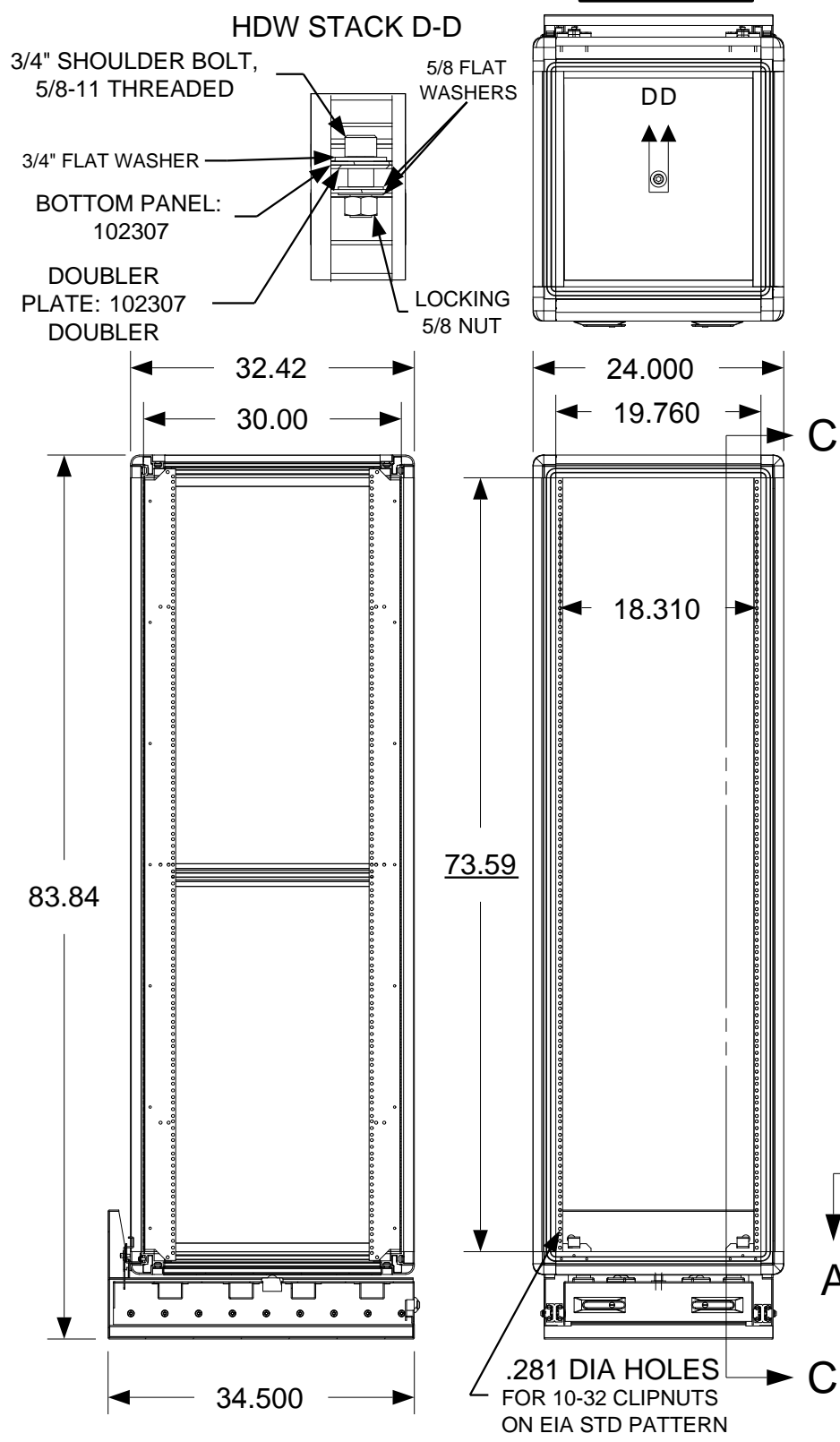


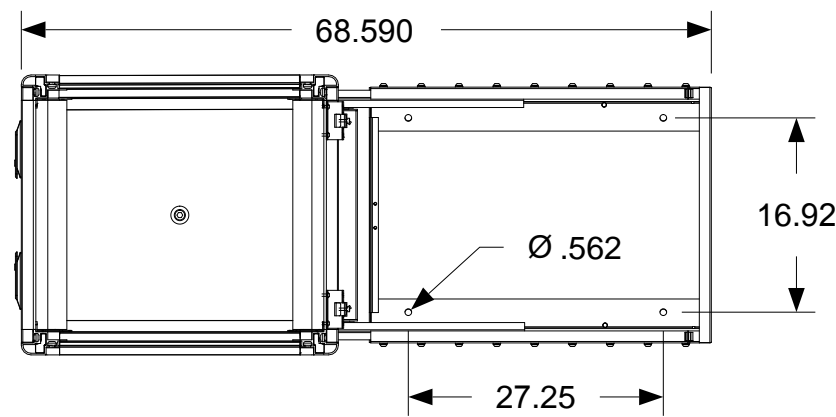
These drawings and specifications are the exclusive property of Martin International Enclosures, Inc. and shall not be copied, reproduced or used for any purpose at all without prior written permission of Martin International Enclosures, Inc. (MIE) except to manufacture for MIE, Inc. the items on the drawings. These drawings are issued in strict confidence.

REVISION HISTORY			
REV	DESCRIPTION	DATE	APPROVED
A	PRELIMINARY RELEASE	2/24/11	mb
B	PRODUCTION RELEASE	5/27/11	mb
C	ECN 494	12/2/16	PBM

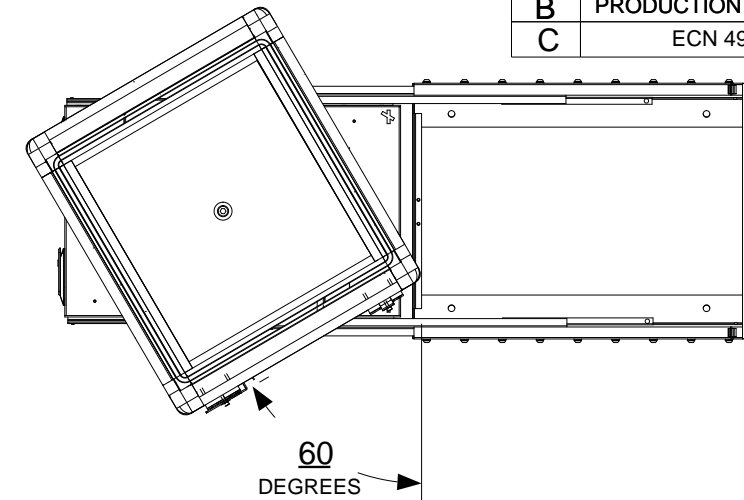
F
E
D
C
B
A



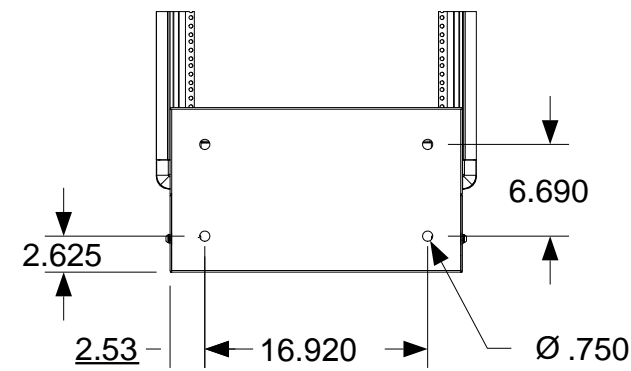
**SECTION A - A
EXTENDED**



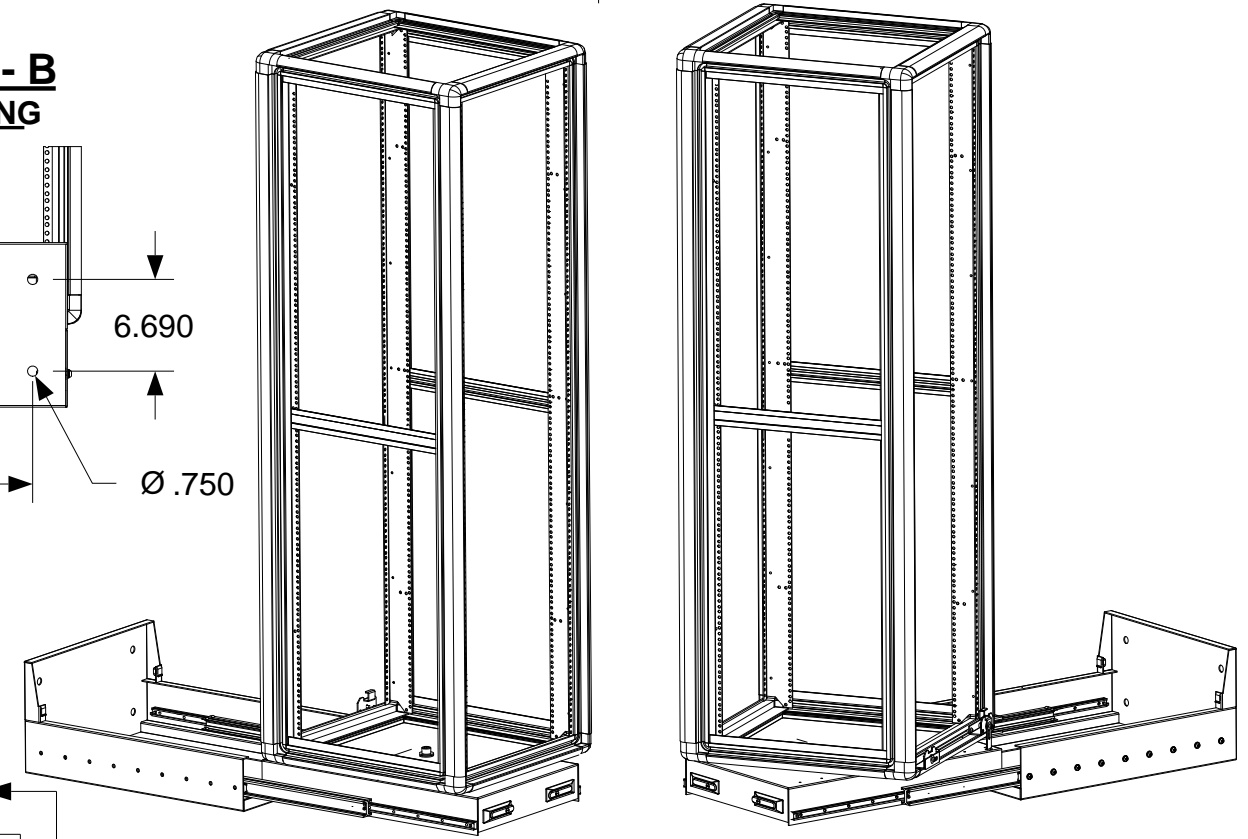
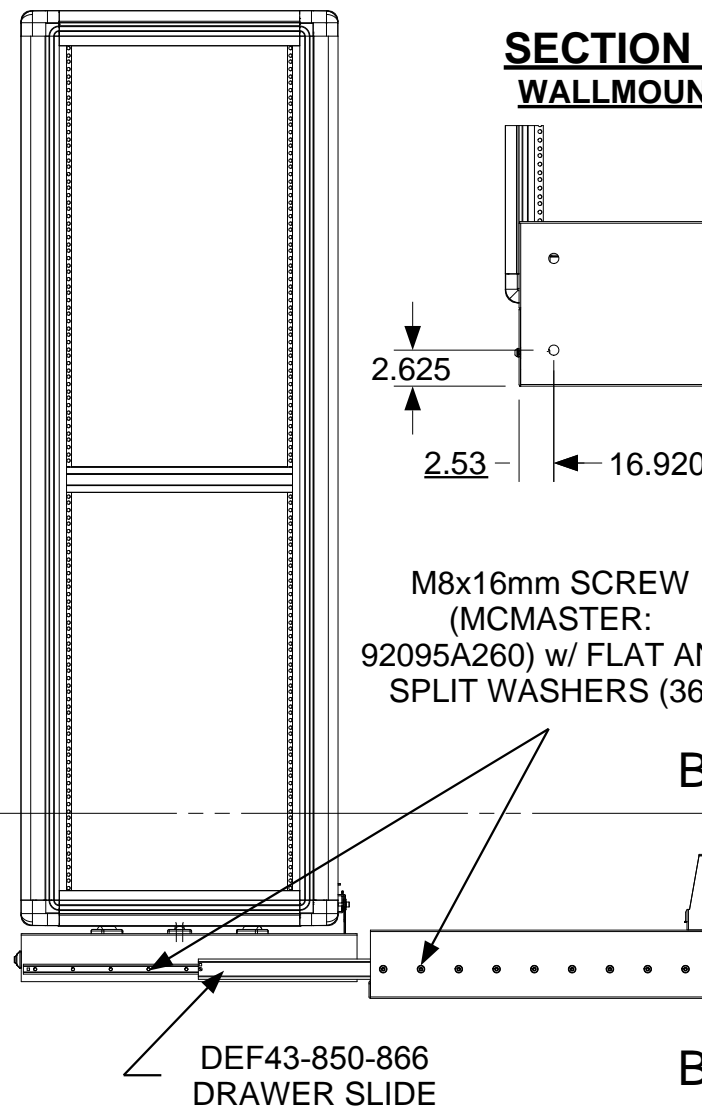
**TOP VIEW
EXTENDED AND ROTATED**




**SECTION B - B
WALLMOUNTING**



M8x16mm SCREW
(MCMaster:
92095A260) w/ FLAT AND
SPLIT WASHERS (36)



Item	Part Number	Description	Qty
MATERIAL			
			
PART NAME		42U EXTRUDED ALUMINUM FRAME, 19" RACKMOUNT, 30" DEPTH ON A PULL OUT AND SWIVEL BASE	
SIZE	DATE	PART #	REV
B	5/25/17	MSV732030	A
DRAWN BY: SM		SCALE = 1/3	FINISH: A/R
APPROVED BY:		SHEET	1 of 1

PROGRAM#	DATE
SETBACK=	DATE

NEXT UPPER ASSEMBLY:

ORDER#

9 8 7 6 5 4 3 2 1