

These drawings and specifications are the exclusive property of Martin International Enclosures, Inc. and shall not be copied, reproduced or used for any purpose at all without prior written permission of Martin International Enclosures, Inc. (MIE) except to manufacture for MIE, Inc. the items on the drawings. These drawings are issued in strict confidence.

REVISION HISTORY			
REV	DESCRIPTION	DATE	APPROVED
A	INITIAL RELEASE		

F

F

E

E

D

D

C

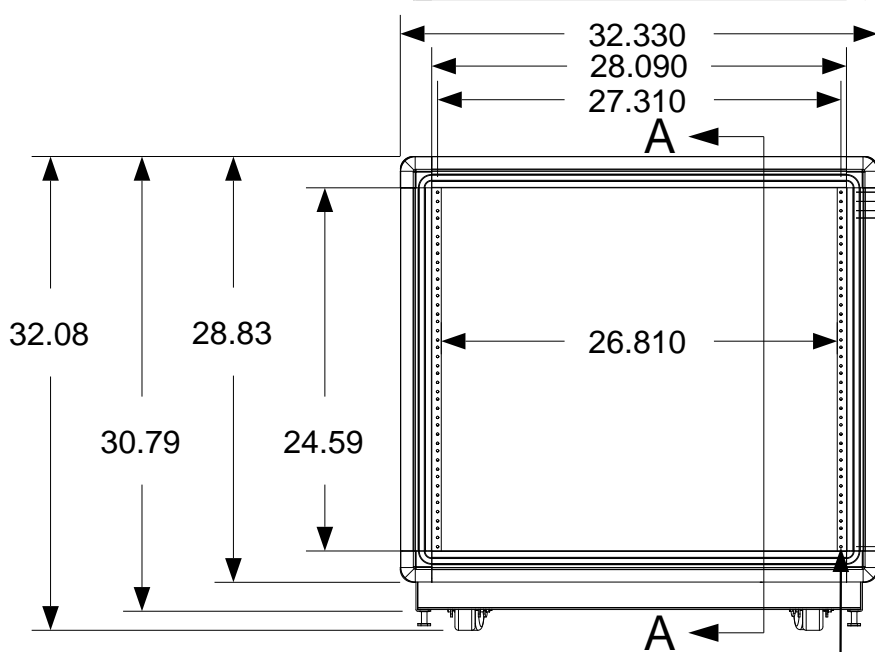
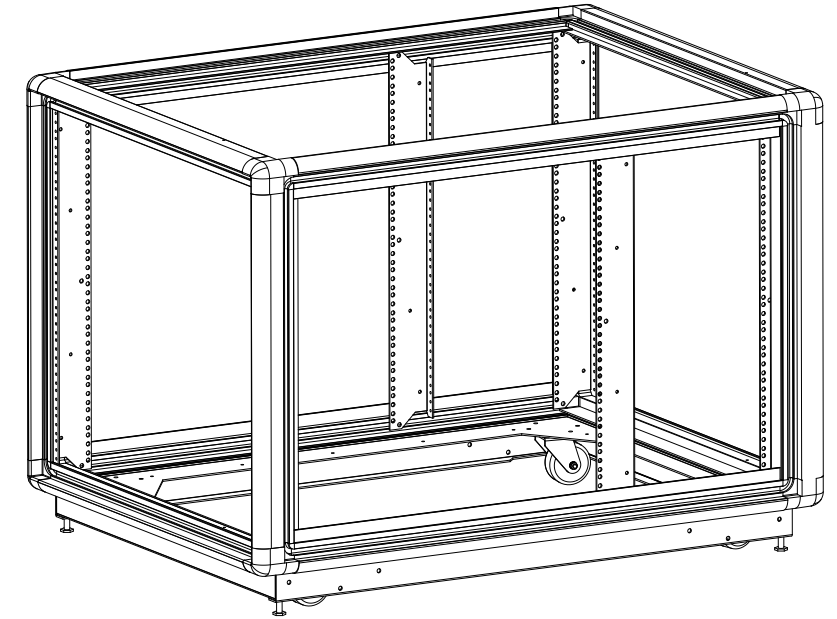
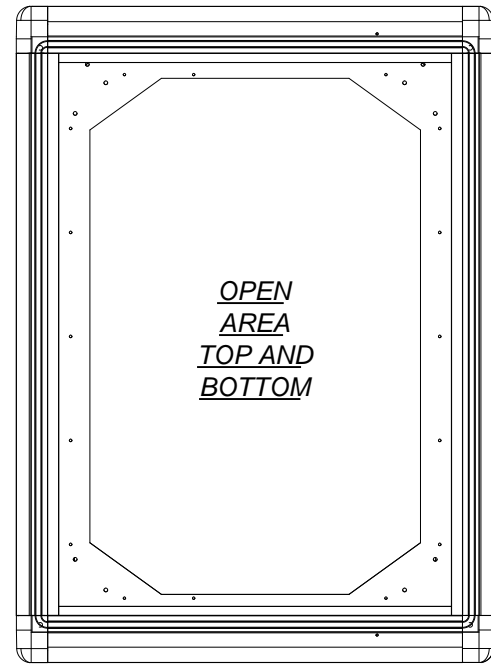
C

B

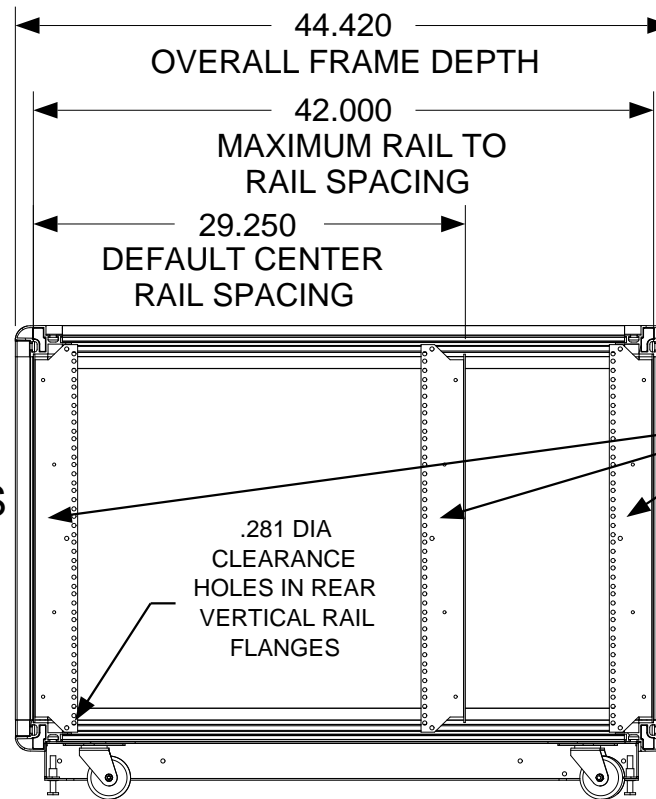
B

A

A



FRONT VIEW



SIDE SECTION VIEW

.295
.625
.625
.500

CONTINUOUS
EIA HOLE
SPACING

FULLY ADJUSTABLE
VERTICAL MOUNTING
RAILS
(3 PAIR)

.159 DIA
MOUNTING HOLE
TAPPED 10-32

NEXT UPPER ASSEMBLY:

PROGRAM#	DATE
SETBACK=	DATE

MATERIAL

TOLERANCES EXCEPT AS NOTED
DECIMAL
.X = +/- .060
.XX = +/- .030
.XXX = +/- .010
ANGULAR
+/- 1/2 DEG



PART NAME
**14U X 24" DEEP; 28" RACKMOUNT
EXTRUDED ALUMINUM FRAME**

DRAWN BY: JQ
APPROVED BY:

SIZE B	DATE 4/2/18	PART # 242842-TR10	REV A
SCALE = 1/13		FINISH: A/R	SHEET 1 OF 1

9

8

7

6

5

4

3

2

1