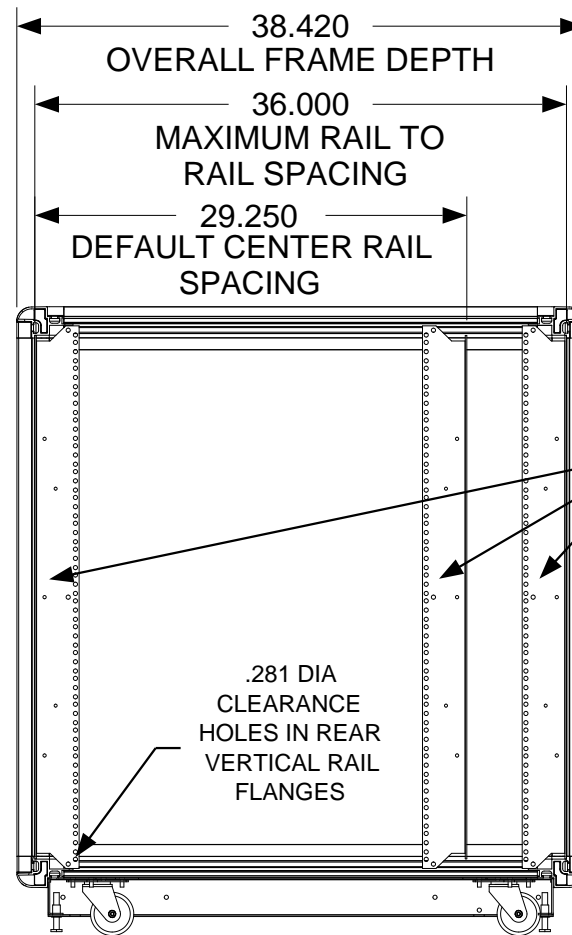
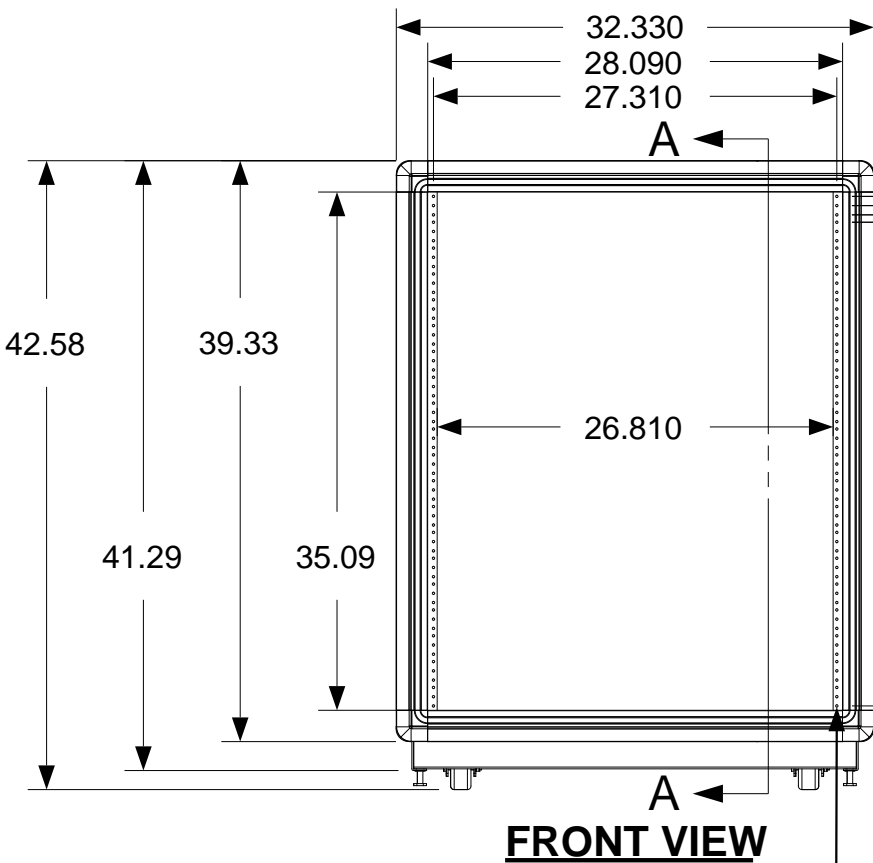
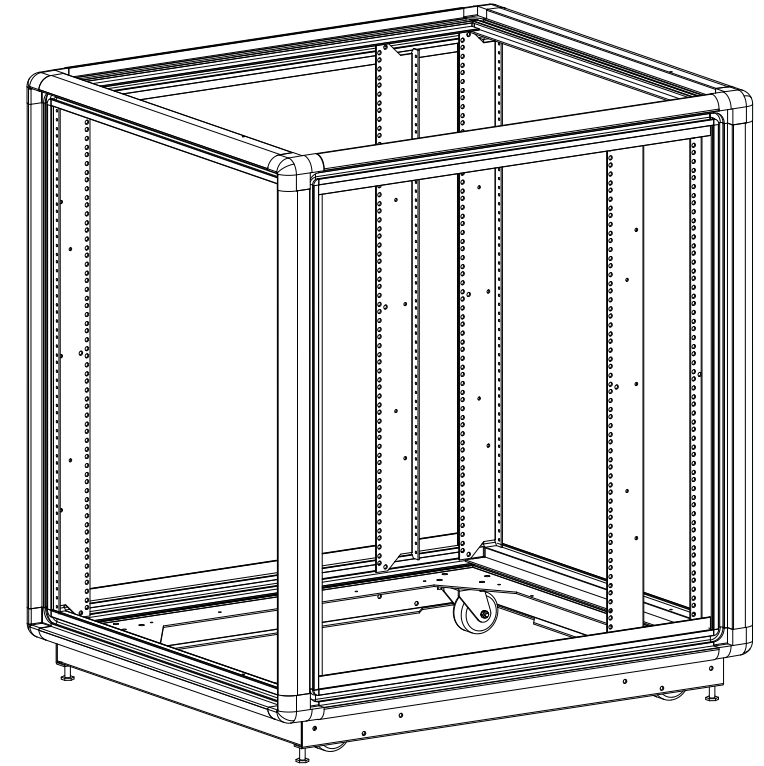
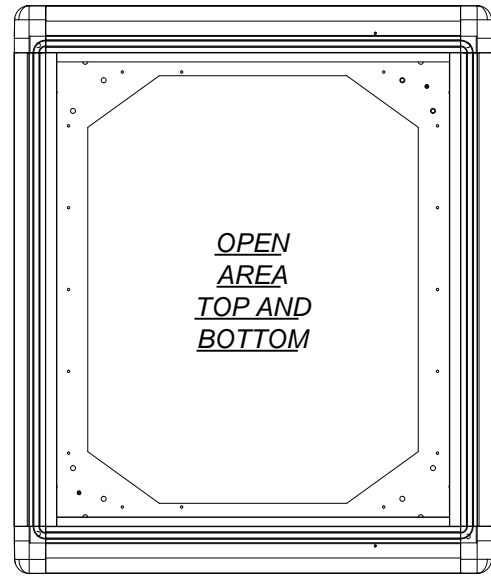


These drawings and specifications are the exclusive property of Martin International Enclosures, Inc. and shall not be copied, reproduced or used for any purpose at all without prior written permission of Martin International Enclosures, Inc. (MIE) except to manufacture for MIE, Inc. the items on the drawings. These drawings are issued in strict confidence.

REVISION HISTORY			
REV	DESCRIPTION	DATE	APPROVED
A	INITIAL RELEASE		



.159 DIA MOUNTING HOLE TAPPED 10-32

MATERIAL

TOLERANCES EXCEPT AS NOTED
 DECIMAL
 .X = +/- .060
 .XX = +/- .030
 .XXX = +/- .010
 ANGULAR
 +/- 1/2 DEG

martin
INTERNATIONAL ENCLOSURES, INC.

PART NAME
 20U X 36" DEEP; 28" RACKMOUNT EXTRUDED ALUMINUM FRAME

SIZE B	DATE 4/3/18	PART # 352836-TR10	REV A
-----------	----------------	-----------------------	----------

PROGRAM# DATE
 SETBACK= DATE

DRAWN BY: JQ
 APPROVED BY:

SCALE = 1/13 FINISH: A/R SHEET 1 OF 1

NEXT UPPER ASSEMBLY: