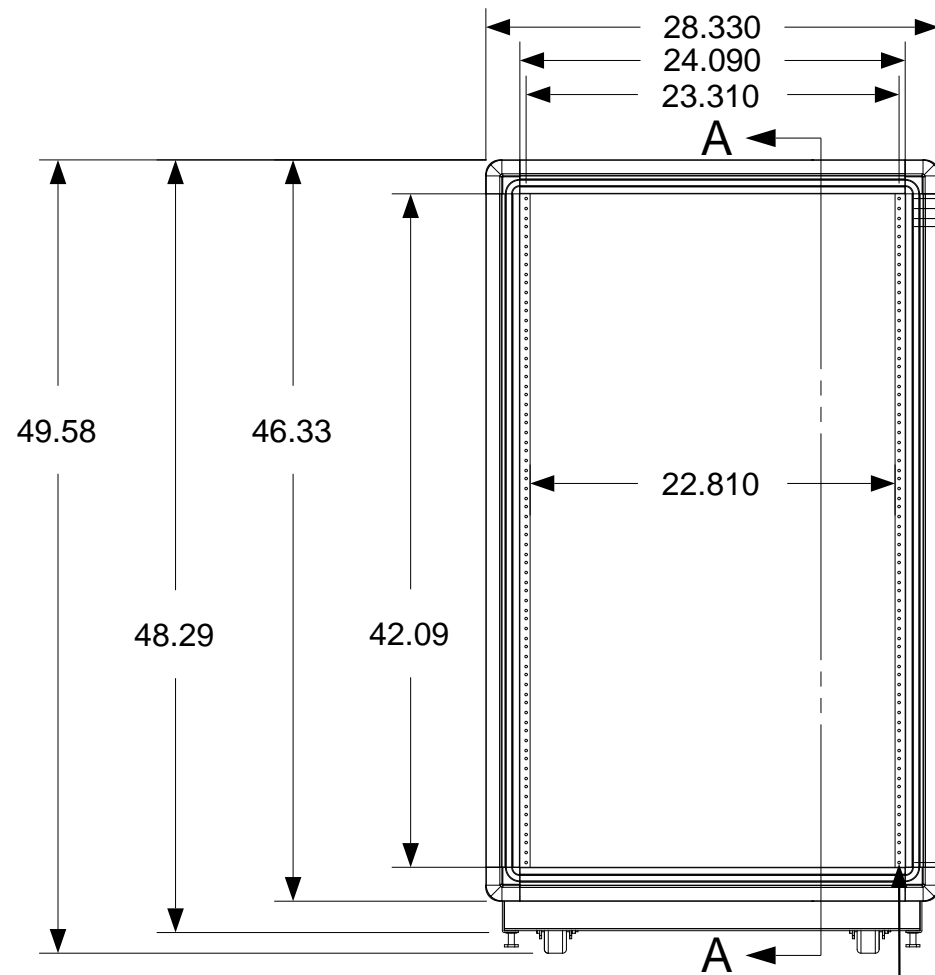
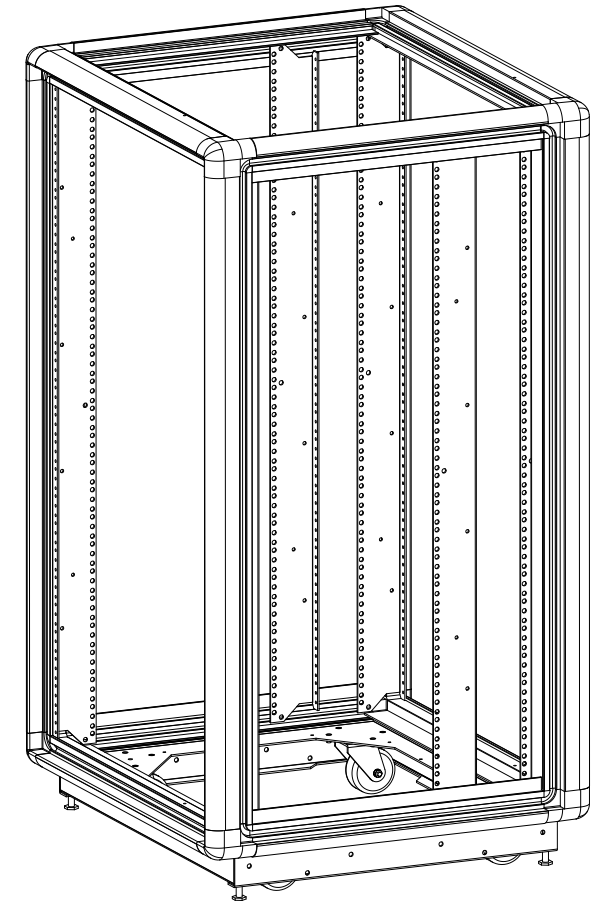
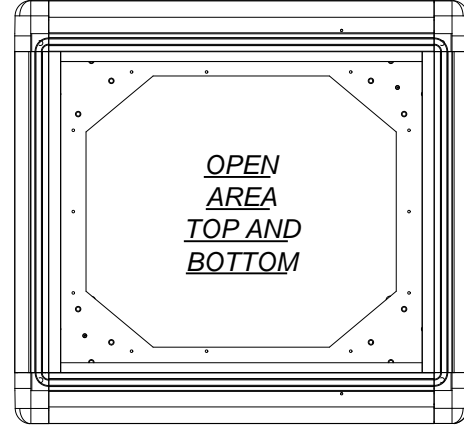
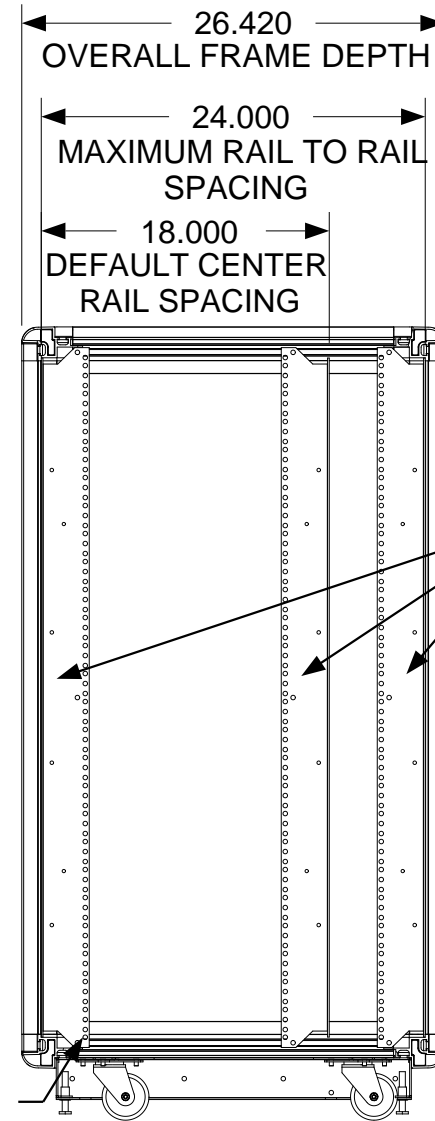


These drawings and specifications are the exclusive property of Martin International Enclosures, Inc. and shall not be copied, reproduced or used for any purpose at all without prior written permission of Martin International Enclosures, Inc. (MIE) except to manufacture for MIE, Inc. the items on the drawings. These drawings are issued in strict confidence.

REVISION HISTORY			
REV	DESCRIPTION	DATE	APPROVED
A	INITIAL RELEASE		



FRONT VIEW



SIDE SECTION VIEW

CONTINUOUS EIA HOLE SPACING

FULLY ADJUSTABLE VERTICAL MOUNTING RAILS (3 PAIR)

.159 DIA MOUNTING HOLE TAPPED 10-32

MATERIAL			
TOLERANCES EXCEPT AS NOTED DECIMAL .X = +/- .060 .XX = +/- .030 .XXX = +/- .010 ANGULAR +/- 1/2 DEG			
PART NAME		24U X 24" DEEP; 24" RACKMOUNT EXTRUDED ALUMINUM FRAME	
SIZE	DATE	PART #	REV
B	3/15/18	422424-TR10	A
DRAWN BY: JQ		SCALE = 1/12	
APPROVED BY:		FINISH: A/R	SHEET 1 OF 1

NEXT UPPER ASSEMBLY:

PROGRAM#	DATE
SETBACK=	DATE

9 8 7 6 5 4 3 2 1

F

E

D

C

B

A

F

E

D

C

B

A

9 8 7 6 5 4 3 2 1