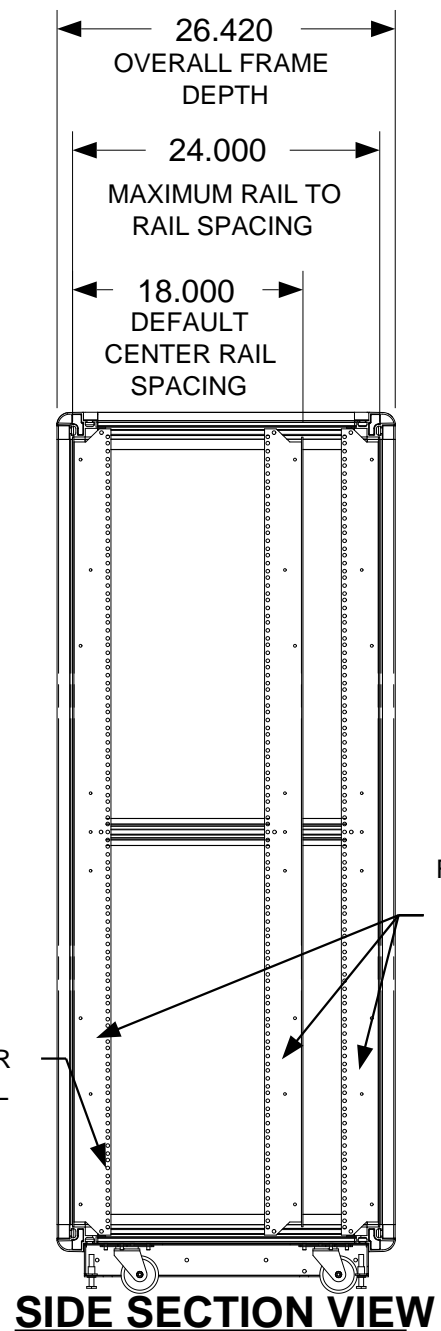
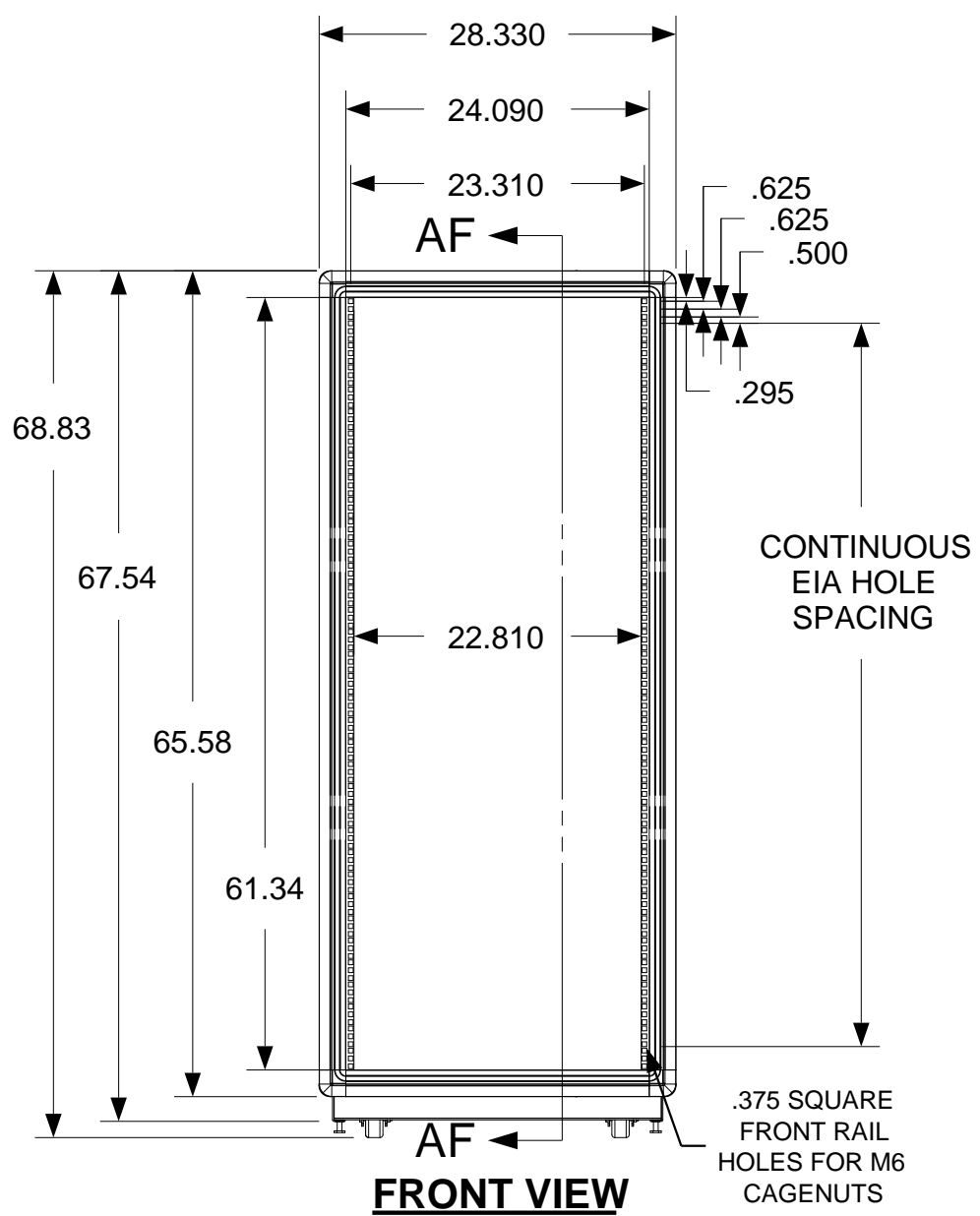
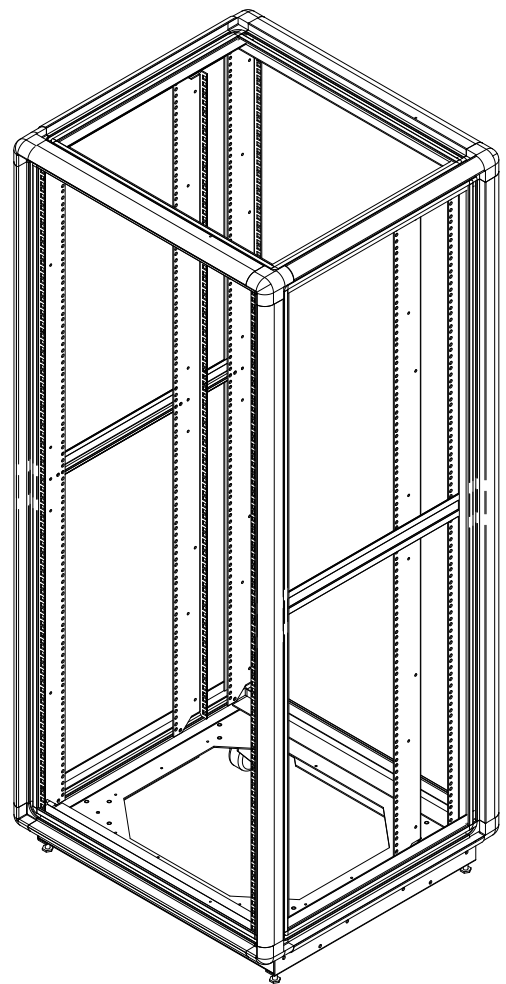
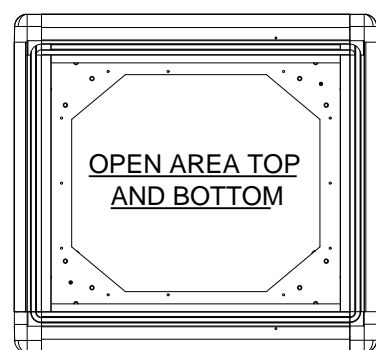


These drawings and specifications are the exclusive property of Martin International Enclosures, Inc. and shall not be copied, reproduced or used for any purpose at all without prior written permission of Martin International Enclosures, Inc. (MIE) except to manufacture for MIE, Inc. the items on the drawings. These drawings are issued in strict confidence.			REVISION HISTORY		
REV	DESCRIPTION	DATE	APPROVED		



ITEM	PART NUMBER	DESCRIPTION	QTY
	MATERIAL		
	TOLERANCES EXCEPT AS NOTED DECIMAL .XX = +/- .020 .XXX = +/- .010 ANGULAR +/- 1/2 DEG		
		PART NAME	
		35U X 24" DEEP; 24" RACKMOUNT EXTRUDED ALUMINUM FRAME	
SIZE	DATE	PART #	REV
B	3/3/16	612424-L	
DRAWN BY: BMT		FINISH: A/R	SHEET OF
APPROVED BY:		SCALE = 1/3	

PROGRAM#	DATE
SETBACK=	DATE

9 8 7 6 5 4 3 2 1

F

E

D

C

B

A

9 8 7 6 5 4 3 2 1